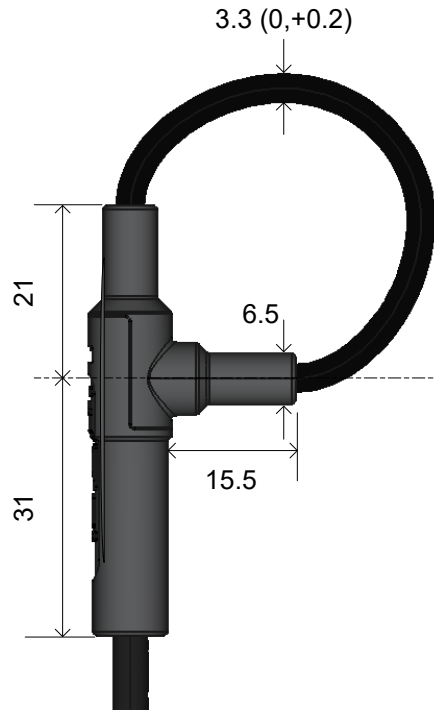


Design file	Dimension Drawing
Product file	CWTMini and Mini50HF
Revision date	March 2024
Issue No.	04
Sheet No.	1 of 1
Notes	2kV peak coil

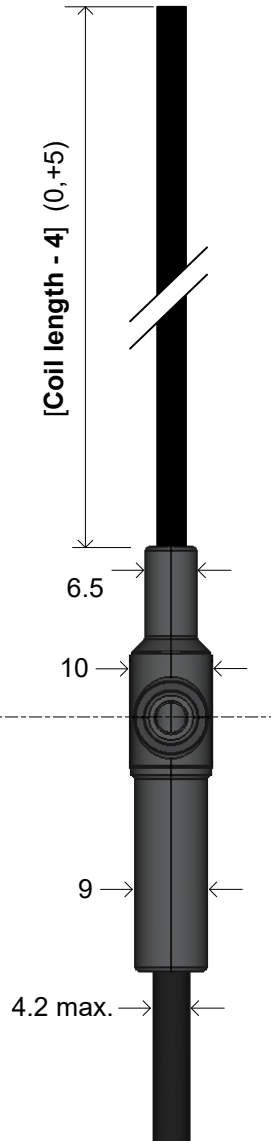
The 'Coil length' corresponds to the mean circular circumference

As a general 'guide to sizing' the coil, it will fit a circular conductor with a maximum diameter = $[\text{Coil length} / 3.3]$



Minimum Bend Radius:

- 15mm, CWTMini50HF
- 13mm, CWTMini



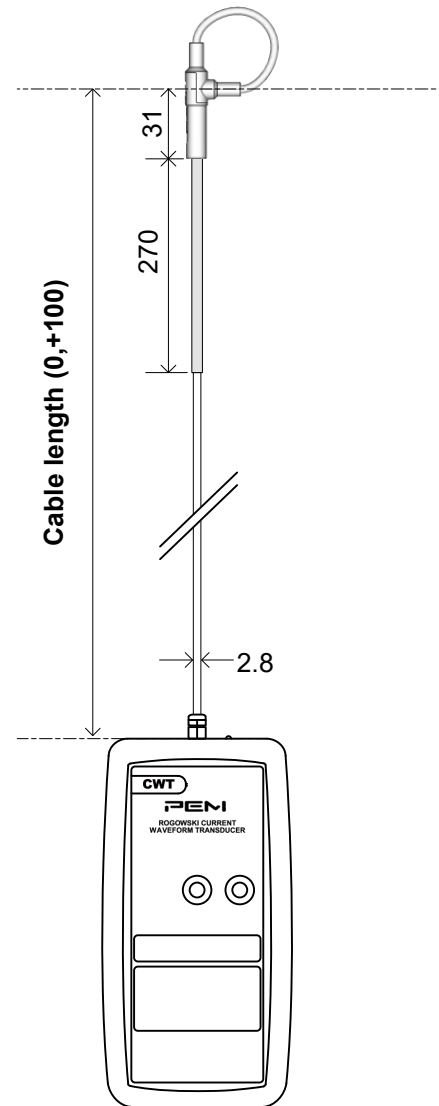
Standard 'Coil length' options are 100mm and 200mm though longer coils can be made to meet specific requirements.



100mm version shown above

All dimensions mm
Drawing Not To Scale

Design file	Dimension Drawing
Product file	CWTMini and Mini50HF
Revision date	March 2024
Issue No.	04
Sheet No.	2 of 3
Notes	For Guidance ONLY

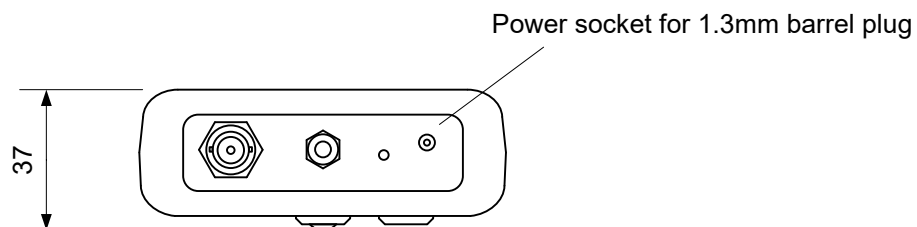


Cable lengths from our standard range are 1m, 2.5m or 4m.

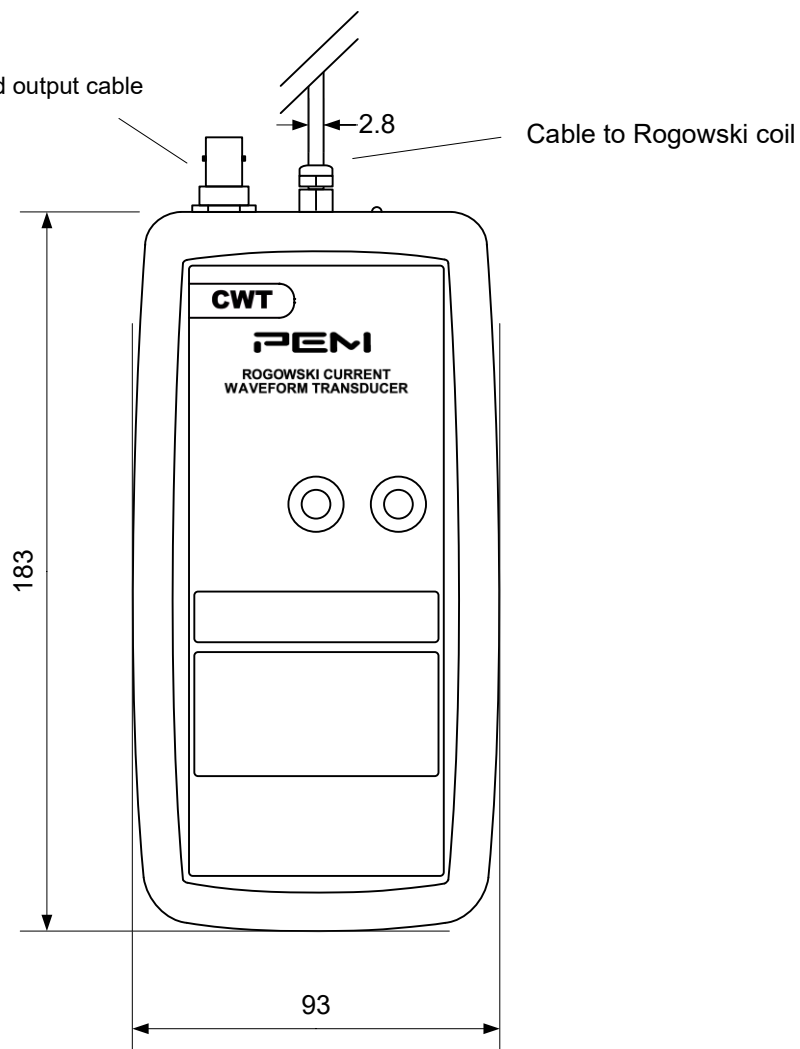
Longer cables can be made to meet specific requirements.

For tolerance information on longer cables please contact PEM.

Design file	Dimension Drawing
Product file	CWTMini and Mini50HF
Revision date	March 2024
Issue No.	04
Sheet No.	3 of 3
Notes	For Guidance ONLY



- For CWTMini - RG58 BNC socket for output
- For CWTMini50HF - this is a 0.5m BNC plug terminated output cable



All dimensions mm
Drawing Not To Scale