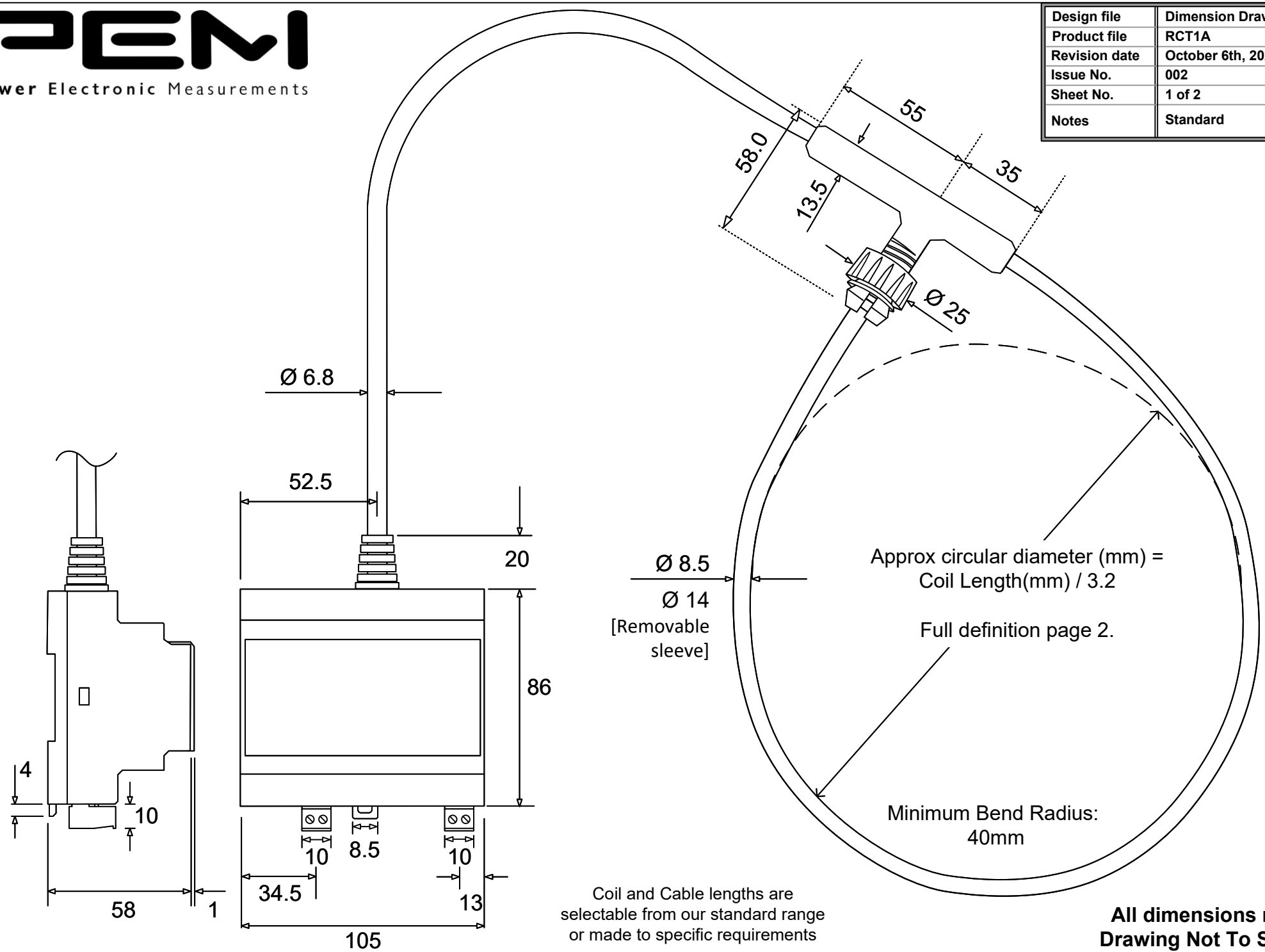


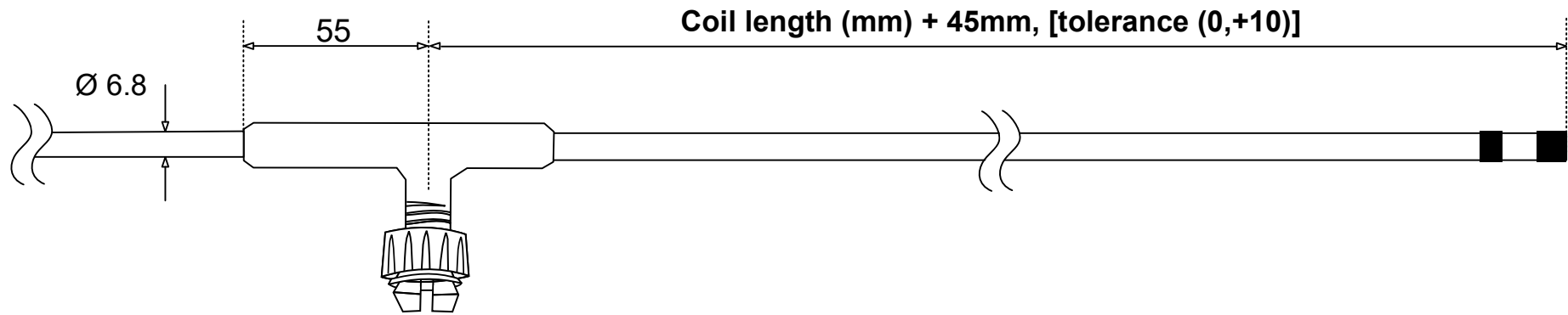
Design file	Dimension Drawing
Product file	RCT1A
Revision date	October 6th, 2023
Issue No.	002
Sheet No.	1 of 2
Notes	Standard



Coil and Cable lengths are selectable from our standard range or made to specific requirements

**All dimensions mm
Drawing Not To Scale**

Design file	Dimension Drawing
Product file	RCT1A
Revision date	October 6th, 2023
Issue No.	002
Sheet No.	2 of 2
Notes	RCT coil length definition



Coil lengths from our standard range are 300, 500, 700 or 1000mm.
Longer coils can be made to meet specific requirements.
For tolerance information on longer coils please contact PEM.

**All dimensions mm
Drawing Not To Scale**